

# ALPINE RIFLECRAFT

## ZENITH PRODUCT MANUAL



Welcome to the Alpine Riflecraft Family! You are the new owner of the Ultimate Mountain rifle, the Zenith! It has been proudly engineered, designed, and manufactured in Alberta using Canadian made components for a lifetime of hunting adventure.

<b>Table of Contents</b>	<b>Page No.</b>
<b>1.0 Our Guarantee</b>	
1.1 Product Guarantee	3
1.2 Accuracy Guarantee	3
<b>2.0 Firearm Safety</b>	
2.1 ACTS & PROVE	4
2.2 Hand Loading	5
<b>3.0 Rifle Features and Function</b>	
3.1 3 Position Safety Function	6
3.2 Bolt Stop Function	7
3.3 Trigger Adjustment	7
3.4 Scope Base/Ring installation	8
<b>4.0 Care and Feeding</b>	
4.1 Cleaning	11
4.2 Lubrication	12
<b>5.0 Fastener Data</b>	
5.1 Fastener Data	12

## **1.0 Our Guarantee**

### **1.1 Product Guarantee**

We offer a lifetime warranty on the materials and workmanship of your rifle. What we do not warrant is failure from misuse, abuse, normal wear and tear, or loss of accuracy. What we do not warrant:

- Normal wear and tear, such as scratched anodizing or worn paint.
- Damage from misuse or abuse
- Accuracy loss due to fouling or normal barrel wear

### **1.2 Accuracy Guarantee**

Your rifle is guaranteed to shoot 3/4 MOA at 100 yards with premium factory ammunition or handloads. Your rifle has been test fired by us to ensure it meets this threshold. The test target included with your rifle has been shot from the bench, outdoors under field conditions, using factory ammunition to achieve our guarantee.

## 2.0 Safety

### 2.1 ACTS & PROVE

By following these simple steps you will ensure a lifetime of firearms enjoyment and the safety of yourself and others.

#### A-C-T-S

Assume every firearm is loaded

Control the muzzle direction at all times

Trigger finger is out of the trigger guard and off the trigger

See if the firearm is unloaded – **PROVE** it safe

#### P-R-O-V-E

Point the firearm in the safest direction possible

Remove all ammunition

Observe the chamber

Verify the feeding path

Examine the bore

## 2.2 Hand Loading

Please follow these simple tips to ensure your personal safety when hand loading:

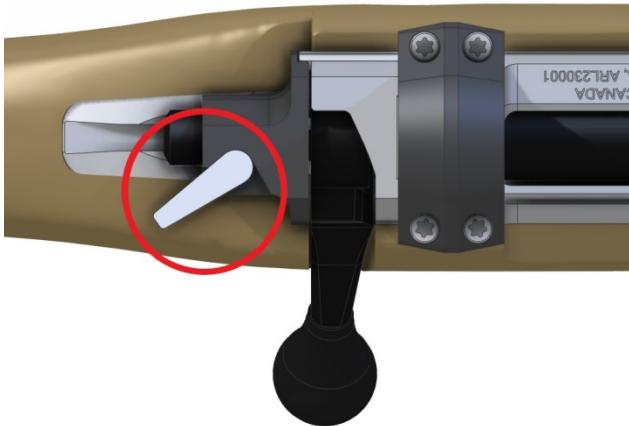
- Inspect your cases regularly ensuring they are in good condition. Scrap them if you notice any of the following:
  - Thinning or cracking of the case web near the case head
  - Split necks
  - Loose primer pockets
- Measure your cases and confirm they are under maximum case length. This allows the bullet to be released from the case mouth without inducing additional pressure
- If you change any components in your recipe, your load development needs to start over to ensure safety
- Take signs of high pressure seriously, and reduce your load should you notice:
  - heavier than normal bolt lift
  - flattened primers
  - Case head marks caused by material being extruded into the ejector slot and scraped off when the bolt is rotated.
  - Velocities above listed load data

These indicate your loads are **OVER** pressure!

**\*\*Never exceed manufacturers published data when hand loading. Ensure you start 5% below maximum charges to ensure loads are safe in your rifle. If you have pressure signs, STOP, and reduce your load\*\***

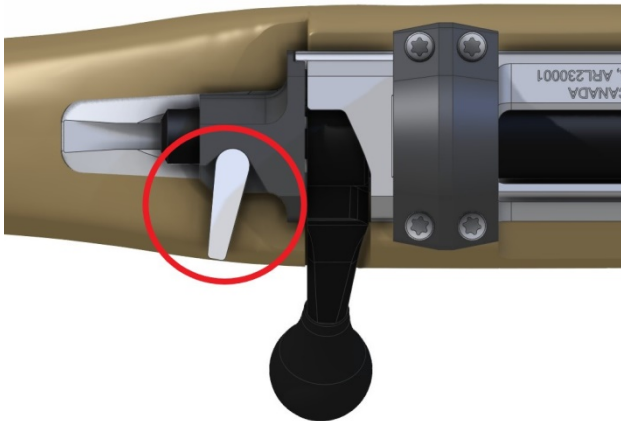
## 3.0 Rifle Features and Functions

### 3.1 Three Position Safety Function



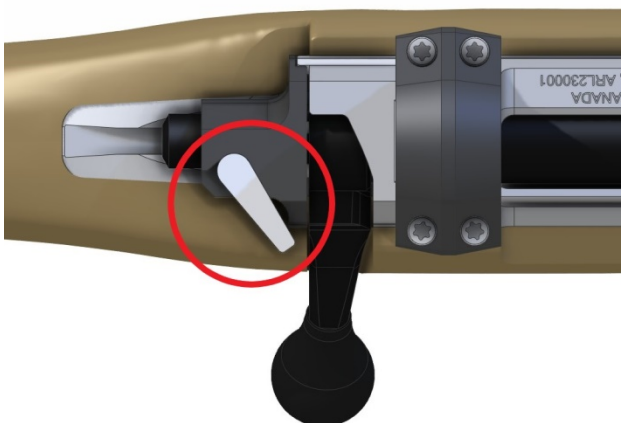
#### Safety ON (Bolt Locked)

The safety lever is pulled completely to the rear, the safety is ON, and the bolt is locked in the closed position.



#### Safety ON

The safety lever is pulled rearward to the middle position. The safety is ON, and the bolt is free to operate.



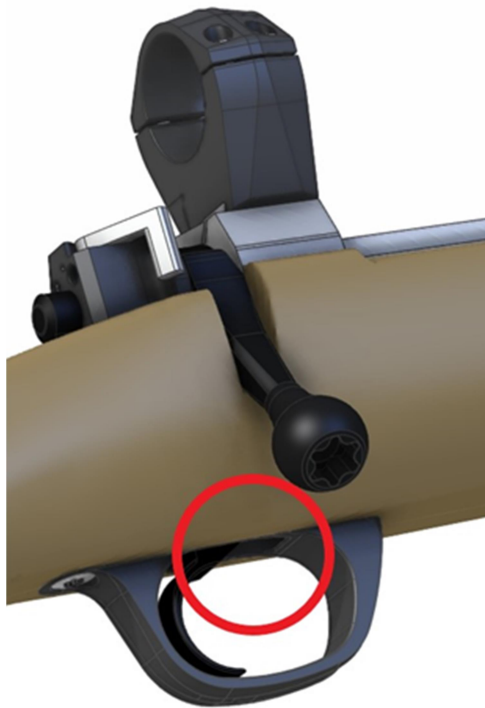
#### Safety OFF

The safety lever is pushed fully forward. The safety is OFF, and the rifle will fire upon depressing the trigger.



### 3.2 Bolt Stop Function

The bolt stop is a spring loaded push button. To release the bolt, open and slide rearward. Depress the button extension and pull the bolt clear. The button does not need to be depressed for bolt re-entry.



### 3.3 Trigger Adjustment

Your Zenith is factory equipped with a *Triggertech* Primary trigger. It has an adjustable pull weight of 1.5 to 4lbs. You can adjust the pull weight to your liking by using a 5/64" Allen key. The pull weight adjustment screw is visible through the trigger guard opening, and can be adjusted in place. Clockwise rotation of the adjustment screw will increase pull weight, while counter-clockwise rotation will reduce it. For more information please consult the trigger tech online manual for the Kimber 84M trigger at [www.triggertech.com](http://www.triggertech.com)

### 3.4 Scope Base/Ring Installation

The Zenith receiver and scope rings have been designed with a few convenient features in mind:

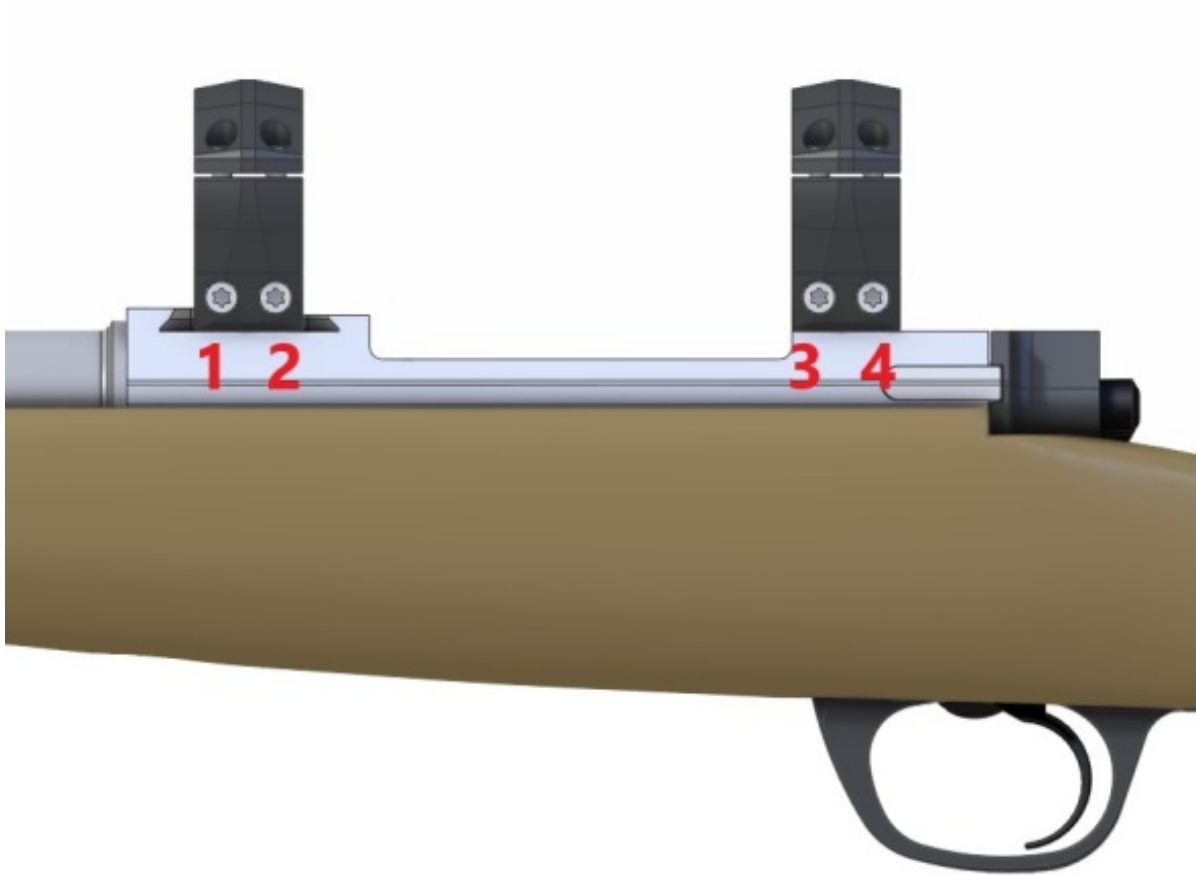
- All screws are accessible to ensure they are torqued properly at any time, without resorting to permanent thread lockers for peace of mind.
- The scope and rings can be removed as a single unit to allow a different set of rings and scope to be installed
- Proper reinstallation results in minimal POI shift

#### Scope Base Installation Instructions

1. Using a bubble level on the flat receiver bridge, ensure rifle level and clamp in place
2. Loosely assemble the ring bases and clamps using the provided #8-32 screws
3. Place a ring base into the front dovetail and push into the front recoil stop. Ensure clamp is installed on the left hand side of the receiver
4. Using light finger pressure on your screw driver, tighten the front clamp screws until the clamp is in contact with the front dovetail
5. Place the second ring base into the rear dovetail. The front should align flush with the rear magazine opening. Ensure clamp is installed on the left hand side of the receiver
6. using light finger pressure on your screw driver, tighten the rear clamp screws until the clamp is in contact with the rear dovetail
7. Torque all 4 base screws in a linear sequence, front to back, starting at 15, 20 then finally 25in\*lbs



## Scope Base Torque Sequence

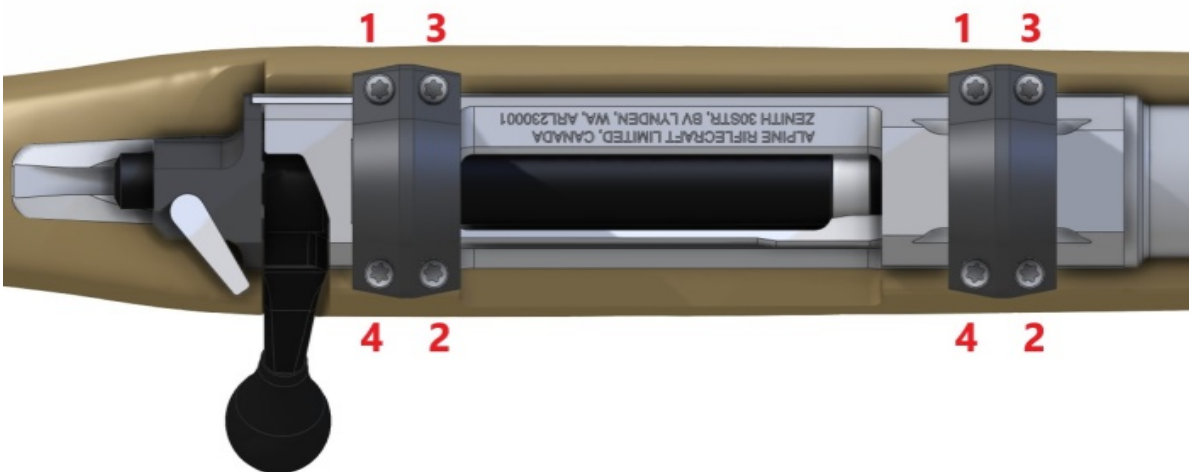


### Scope Ring Cap Installation Instructions

1. Place your scope into the mounted ring bases and place ring caps into position.
2. Using light finger pressure on your screw driver, spin the ring caps in to very light contact with the scope tube. Be sure to adjust the screws so you have an even gap on both sides of the ring and base assembly

3. Adjust the scope position for eye relief and level. Level should be achieved in one of two ways:
  - a) If you are using a holdover style reticle, level the reticle to the rifle. With the rifle level, look through your scope at a level line. Rotate into level position so the reticle aligns with the horizontal line
  - b) If you are going to be dialing turrets, assume the turret is normal to the erector travel. With the rifle level, use a bubble level on the turret cap and rotate the scope into level position.
4. Snug the ring cap screws into contact with the scope tube using an X pattern on each cap. See illustration below
5. double check eye relief and scope level prior to final torque sequence
6. Torque each cap in an "X" pattern across the ring top to ensure even torqueing.
7. Torque the caps sequentially, front to back, starting at 5, 10, then finally 15 in\*lbs. This ensures even fastener and scope tube stress.

### Ring Cap Torque Sequence



## 4.0 Care and Feeding

### 4.1 Cleaning

We recommend cleaning your rifle at regular intervals or at minimum once a year to ensure a lifetime of trouble free use.

Some cleaning tips for your Zenith:

- Frequently wipe dirt and dust from the bolt raceway and bolt body using a soft dry cloth. This ensures smooth bolt operation
- Wiping down the firearm with a soft cloth after outdoor use will go a long way in keeping your Zenith looking like new
- To clean the striker assembly, simply close the bolt, rotate the safety switch into the middle position, remove the bolt from the rifle, and spin the shroud counter clockwise. A cloth and solvent can be used to safely remove any excess dirt or lubricant. Lubricate and reinstall; installation is the reverse of removal.
- When it comes to barrel cleaning, ensure you keep aggressive chemicals where they belong, in the barrel, by using a proper cleaning tube. We recommend you remove all copper fouling when cleaning the barrel. This ensures best accuracy. Follow the directions of your favorite powder and copper fouling remover. Don't forget to clean and **dry** your chamber!

## 4.2 Lubrication

We recommend you lubricate your rifle after you clean it to keep it running smoothly.

Our lubrication recommendations are as follows:

- Use a drop of synthetic gun oil to lubricate hard to reach moving parts such as the cocking piece and cocking piece roller, safety switch shaft, and bolt release dowel. Wipe off any excess when finished
- Use a Dry Film PTFE lubricant for the bolt shroud threads, and striker assembly. Dry film lubricants can't freeze and don't attract dirt
- Grease your bolt lug contact surfaces often to keep them running friction free.

## 5.0 Fastener Data

Note that all fasteners have been factory lubricated and torqued according to the following table.

FASTENER	DRIVE	LOCATION	LOCKER/LUBRICANT	TORQUE TO
#4-40 UNC	.050" Hex	Firing Pin/Bottom of Cocking Piece	Red Loctite	9 in-lbs
#5-40 UNC	1/16" Hex	Bolt Shroud/Position Detent	Red Loctite	13 in-lbs
#6-32 UNC	T-15 Torx	Scope Ring Caps, Sling Swivel Bases	Blue Loctite	15 in-lbs
#8-32 UNC	T-15 Torx	Scope Base/Receiver Dovetail Clamps	Blue Loctite	25 in-lbs
#12-28 UNF	T-25 Torx	Front/Rear Receiver Screws	Nickel based thread lubricant	55 in-lbs
#12-28 UNF	T-55 Torx	Bolt Knob	Blue Loctite	55 in-lbs
1/2"-28 UNEF	T-60 Torx	Carbon Barrel Muzzle Brake/Cap	Nickel based thread lubricant	120 in-lbs
9/16"-28 UN	T-60 Torx	Stainless Barrel Muzzle Brake/Cap	Nickel based thread lubricant	120 in-lbs

Questions or Comments? You can reach us at:

Email: [info@alpineriflecraft.com](mailto:info@alpineriflecraft.com)

Phone: (403) 869 6896

Social: @alpineriflecraft